

ELECTRICAL LEGEND	
SYMBOL	DESCRIPTION
	SURFACE MOUNTED LUMINAIRE
	POLE WITH ARM MOUNTED LUMINAIRE
	WALL MOUNTED LUMINAIRE
18L-1,a	SUBSCRIPT ADJACENT TO LUMINAIRE INDICATES PANEL, CIRCUIT NUMBER AND SWITCH IDENTIFICATION, NL=NIGHT LIGHT, CL=CURFEW LIGHT
	LUMINAIRE TYPE IDENTIFIER, TYPE "A" INDICATED
	WALL MOUNTED OCCUPANCY SENSOR, +48" MAX TO TOP OF DEVICE UNLESS OTHERWISE NOTED
	TIME SWITCH
	QUADPLEX RECEPTACLE, RECESSED +9" UNLESS OTHERWISE NOTED
	DUPLEX RECEPTACLE, GFCI TYPE, RECESSED, +9" UNLESS OTHERWISE NOTED
	DUPLEX RECEPTACLE, GFCI TYPE, WITH WEATHERPROOF COVER, RECESSED, +9" UNLESS OTHERWISE NOTED
	PANELBOARD
	RACEWAY AND CONDUCTORS BELOW FLOOR OR GRADE
18L-23	PANEL AND CIRCUIT DESIGNATION
	SHEET NOTE, SEE SAME SHEET

ABBREVIATIONS

AWG	AMERICAN WIRE GAGE
CKT	CIRCUIT
ELEC RM	ELECTRICAL ROOM
EMT	ELECTRICAL METALLIC TUBING
JB	JUNCTION BOX
NEMA	NATIONAL ELECTRICAL MANUFACTURER'S ASSOCIATION
NFPA	NATIONAL FIRE PROTECTION AGENCY
PNL	PANEL
UFC	UNIFORM FIRE CODE
UL	UNDERWRITER'S LABORATORIES, INC.
WP	WEATHERPROOF

ELECTRICAL SPECIFICATION

PART 1 - GENERAL

- REFER TO COMPLETE CONTRACT DOCUMENTS FOR OTHER DETAILS AND REQUIREMENTS.
- CONFORM TO THE BUILDING, FIRE, AND ELECTRICAL CODES OF THE COUNTY OF SAIPAN, LAWS AND REGULATIONS OF SAIPAN.
- OBTAIN AND PAY FOR REQUIRED PERMITS, LICENSES, FEES, AND OTHER CHARGES. DELIVER CERTIFICATES OF COMPLETION AND INSPECTION TO THE OWNER. SUBCONTRACTORS SHALL BE LICENSED FOR THE WORK THEY PERFORM.
- PROVIDE 4 COPIES OF DATA ON LUMINAIRES, ELECTRICAL EQUIPMENT, AND WIRING DEVICES THAT HAVE BEEN CHECKED BY THE CONTRACTOR FOR ARCHITECT'S REVIEW AND APPROVAL. ALLOW TEN WORKING DAYS FOR REVIEW PROCESS. (IF SUBSTITUTE PRODUCTS ARE PROPOSED FOR USE, THE BIDDER SHALL, PRIOR TO BID OPENING, SUBMIT 4 COPIES OF SHOP DRAWINGS OR CATALOG CUTS FOR APPROVAL. SUBSTITUTIONS AFTER RECEIPT OF APPROVED SUBMITTALS SHALL NOT BE PERMITTED UNLESS APPROVED IN WRITING BY THE ARCHITECT.)
- MAINTAIN A SET OF CONTRACT DRAWINGS AT THE JOB SITE MARKING THEM TO SHOW VARIATIONS BETWEEN CONSTRUCTION ACTUALLY PROVIDED AND THAT INDICATED ON CONTRACT DOCUMENTS. PRIOR TO FINAL INSPECTION, TRANSFER THESE DATA AND SUBMIT 1 SET OF CLEAN RECORD DRAWINGS TO THE ARCHITECT.
- EXISTING CONDITIONS ARE SHOWN IN AN APPROXIMATE WAY AND HAVE NOT BEEN VERIFIED BY THE ENGINEER OR HIS REPRESENTATIVE. VISIT THE JOB SITE AND BECOME AWARE OF EXISTING CONDITIONS. CONTRACTOR SHALL DETERMINE THE EXACT CONDITION OF EXISTING WIRING BEFORE COMMENCING WORK, AND SHALL BE RESPONSIBLE FOR ANY DAMAGE CAUSED BY THE CONTRACTOR'S FAILURE TO LOCATE AND PRESERVE CONDITIONS.
- THE ELECTRICAL INSTALLATION SHALL BE GUARANTEED FOR ONE YEAR AFTER ACCEPTANCE BY THE OWNER. WHEN NOTIFIED BY THE OWNER OF FAILURE OF ANY PART OF THE INSTALLATION DURING THE GUARANTEE PERIOD, THE CONTRACTOR SHALL REPAIR OR REPLACE THE DEFECTIVE PART AT HIS OWN EXPENSE TO THE SATISFACTION OF THE OWNER.
- PROVIDE ALL COMPONENTS REQUIRED FOR A COMPLETE AND OPERABLE INSTALLATION.
- THE CONTRACTOR SHALL BE SOLELY RESPONSIBLE FOR SAFETY ON THE JOBSITE.
- THE CONTRACTOR SHALL FURNISH AND INSTALL ALL EQUIPMENT FOR TEMPORARY CONSTRUCTION POWER AS REQUIRED.

PART 2 - PRODUCTS

- NO PRODUCTS CONTAINING ASBESTOS SHALL BE USED ON THIS PROJECT.
- MATERIALS AND EQUIPMENT SHALL MEET THE REQUIREMENTS OF UNDERWRITER'S LABORATORIES, INC. (UL) WHERE UL STANDARDS HAVE BEEN ESTABLISHED FOR THOSE ITEMS. ALL ITEMS SHALL BE NEW UNLESS INDICATED OTHERWISE.
 - CONDUCTORS: MINIMUM SIZE NO. 12 AWG, COPPER, 600 VOLTS, TYPE THWN OR XHHW. CONDUCTORS NO. 8 AND LARGER SHALL BE STRANDED. CONDUCTORS NO. 10 AND SMALLER SHALL BE SOLID, EXCEPT THAT CONDUCTORS FOR REMOTE-CONTROL AND SIGNAL CIRCUITS, CLASSES 1, 2, AND 3, MAY BE STRANDED. COLOR CODE OF UNGROUNDED CONDUCTORS:
 - 208/120 VOLT, 3-PHASE: PHASE A - BLACK, PHASE B - RED, PHASE C - BLUE.
 - RACEWAYS: ELECTRICAL METAL TUBING (EMT), 3/4 INCH MINIMUM UNLESS OTHERWISE NOTED, AND GALVANIZED RIGID CONDUIT, 3/4 INCH MINIMUM UNLESS OTHERWISE NOTED, LIQUID TIGHT FLEX FOR CONNECTION TO TRANSFORMERS AND MOTORS.
 - SURFACE METAL RACEWAY AND FITTINGS: TWO-PIECE PAINTED STEEL, TOTALLY ENCLOSED, SNAP COVER TYPE.
 - DEVICE PLATES: SMOOTH ONE PIECE TO SUIT DEVICES INSTALLED, UREA OR PHENOLIC, WHITE. GROUPED DEVICES SHALL BE GANGED UNDER A SINGLE PLATE.
 - WIRING DEVICES:
 - TOGGLE SWITCHES: DECORATOR STYLE, WHITE, 120/277 VOLTS, 20 AMPERE, QUIET TYPE, AC ONLY.
 - RECEPTACLES: DECORATOR STYLE, NEMA 5-20R, DUPLEX, WHITE.
 - GROUND-FAULT CIRCUIT-INTERRUPTER RECEPTACLE: DECORATOR STYLE, NEMA 5-20R, DUPLEX, WHITE. LISTED WEATHER-RESISTANT TYPE FOR WET LOCATIONS WHERE INDICATED.
 - LUMINAIRES: PER FIXTURE SCHEDULE ON PLANS. INCLUDE ALL HANGERS, SUPPORTS, BALLASTS AND LAMPS AS REQUIRED.
 - PANEL:
 - MODIFY EXISTING PANELS AS INDICATED, COMPLEMENTS TO BE COMPATIBLE WITH EXISTING PANEL.
 - BOLT-ON BREAKERS, TYPE AND RATING AS INDICATED.
 - UPDATE AND TYPE DIRECTORY TO INDICATE LOAD SERVED BY EACH CIRCUIT.
 - NAMEPLATES: LAMINATED MELAMINE PLASTIC, 1/8" THICK, WHITE WITH BLACK CENTER CORE. SURFACE SHALL BE MATTE FINISH. ENGRAVE 1/4"-HIGH NORMAL BLOCK STYLE LETTERING INTO CORE. MINIMUM SIZE OF NAMEPLATE SHALL BE 1" X 2-1/2".
 - SUBMIT DRAWINGS OR CATALOG CUTS FOR THE FOLLOWING EQUIPMENT AND RESUBMIT UNTIL APPROVAL IS RECEIVED. EACH SUBMITTAL SHALL BE CLEARLY MARKED AS TO ITS INTENDED USE AND LOCATION.
 - LUMINAIRES
 - PANELBOARDS

PART 3 - EXECUTION

- DRAWINGS ARE OF SMALL SCALE AND ARE SCHEMATIC. LOCATIONS OF EQUIPMENT AND SYSTEM ELEMENTS ARE APPROXIMATE. RELOCATE ANY DEVICE WITHIN 10 FEET PRIOR TO INSTALLATION, WITHOUT ADDITIONAL COST, AT THE DIRECTION OF THE OWNER.
- CONSULT THE ARCHITECTURAL DRAWINGS FOR DETAILS NOT SHOWN ON THE ELECTRICAL DRAWINGS. ANY CONFLICTS IN LOCATING EQUIPMENT SHALL BE BROUGHT TO THE ARCHITECT'S ATTENTION FOR RESOLUTION. IF DIRECTED BY THE ARCHITECT, THE CONTRACTOR SHALL MAKE REASONABLE MODIFICATION TO THE LAYOUT OF EQUIPMENT TO PREVENT CONFLICT WITH OTHER TRADES OR FOR THE PROPER EXECUTION OF THE WORK AT NO EXTRA COST.
- INSTALLATION AND WORKMANSHIP:
 - INSTALLATION SHALL CONFORM TO SEISMIC DESIGN REQUIREMENTS OF CHAPTER 16 OF THE 2018 INTERNATIONAL BUILDING CODE. PROVIDE SEISMIC BRACING FOR WALL MOUNTED ENCLOSURES, LUMINAIRES, AND OTHER ELECTRICAL EQUIPMENT.
 - COORDINATE OUTAGES ON ELECTRICAL SYSTEM IN WRITING WITH BUILDING MANAGEMENT 14 DAYS BEFORE DESIRED OUTAGE DATE. OUTAGES SHALL BE KEPT TO A MINIMUM IN DURATION AND QUANTITY. OUTAGES WILL BE GRANTED AT THE SOLE CONVENIENCE OF BUILDING MANAGEMENT.
 - WORK SHALL BE NEATLY EXECUTED, WORKMANLIKE IN APPEARANCE, SYMMETRICAL, PLUMB, UNIFORM, PROPERLY ALIGNED AND SECURED IN PLACE.
 - LAY OUT WORK IN ADVANCE. EXERCISE CARE WHERE CUTTING, CHANNELING, CHASING OR DRILLING FLOORS, WALLS, PARTITIONS, CEILINGS, OR OTHER SURFACES. FLOOR PENETRATIONS SHALL BE ACCOMPLISHED BY A LICENSED CORING CONTRACTOR. CONCRETE FLOOR SLABS SHALL BE X-RAYED BEFORE ANY CORING. REPAIR DAMAGE TO BUILDINGS, PIPING, AND EQUIPMENT USING SKILLED CRAFTSMEN OF TRADES INVOLVED. CUTTING, REPAIRS AND REFINISHING SHALL BE SUBJECT TO THE APPROVAL OF THE ARCHITECT.
 - FASTEN TO CONCRETE WITH EXPANSION BOLTS OR CONCRETE INSERTS; TO WOOD WITH WOOD SCREWS; AND TO LIGHT STEEL CONSTRUCTION WITH SHEET METAL SCREWS.
 - VERIFY LOCATIONS OF FLOOR PENETRATIONS, IF ANY REQUIRED, AND OUTLET LOCATIONS IN RELATION TO STRUCTURAL AND OTHER ELEMENTS. NOTIFY THE ARCHITECT IN WRITING OF ANY DISCREPANCIES BEFORE PROCEEDING WITH ANY WORK.
- WIRING METHOD:
 - USE ELECTRICAL METALLIC TUBING IN CONCEALED LOCATIONS AND SURFACE METAL RACEWAY IN EXPOSED LOCATIONS AS INSTRUCTED BY THE ARCHITECT. INSTALL RACEWAY PARALLEL WITH OR AT RIGHT ANGLES TO CEILINGS, WALLS, AND STRUCTURAL MEMBERS.
 - PROVIDE FLEXIBLE CONNECTION FOR EQUIPMENT SUBJECT TO VIBRATION AND LUMINAIRES MOUNTED ON ACCESSIBLE CEILING PANELS OR GRID.
 - FIRE ALARM WIRING WILL BE IN CONDUIT SYSTEM. JUNCTION BOXES SHALL BE SPRAYED RED AND LABELED "FIRE ALARM".
 - CONDUCTORS FOR 20 AMPERE BRANCH CIRCUITS OF 120 VOLTS MORE THAN 100 FEET LONG FROM PANEL TO CENTER OF LOAD SHALL NOT BE SMALLER THAN NO. 10.
 - MULTI-WIRE BRANCH CIRCUITS: COMBINE UP TO THREE (3) 20A, 1 POLE BRANCH CIRCUITS IN A SINGLE CONDUIT HOMERUN. SHARED NEUTRALS ARE NOT ALLOWED.
 - BONDING. ALL METAL COMPONENTS SHALL BE BONDED TO PROVIDE A CONTINUOUS CONDUCTING PATH BACK TO THE SERVICE GROUND OR DERIVED SYSTEM GROUND.
 - A GREEN EQUIPMENT GROUND CONDUCTOR, SIZED PER NEC TABLE 250-122, SHALL BE RUN WITH THE CONDUCTORS FOR EACH FEEDER AND BRANCH CIRCUIT. CONDUIT ALONE AS EQUIPMENT GROUND CONDUCTOR IS NOT ACCEPTABLE.
 - PROVIDE AND INSTALL ALL JUNCTION BOXES AND PULL BOXES REQUIRED FOR INSTALLATION OF ELECTRICAL DEVICES AND EQUIPMENT, WHETHER OR NOT SPECIFICALLY INDICATED ON THE PLANS. SIZING OF BOXES SHALL BE PER NEC.
 - LABEL ALL JUNCTION BOXES AND PULL BOXES INDICATION PANEL NAME AND CIRCUIT NUMBERS OF ALL BRANCH CIRCUIT CONDUCTORS CONTAINED WITHIN THE BOX.
 - INSTALL PULLSTRING (PLASTIC HAVING MINIMUM 200 POUND TENSILE STRENGTH) IN EMPTY CONDUITS IN WHICH WIRE IS TO BE INSTALLED BY OTHERS.
 - SEAL OPENINGS AROUND NEW ELECTRICAL PENETRATIONS THROUGH FIRE RESISTANCE-RATED WALLS, PARTITIONS, FLOORS, OR CEILINGS TO MAINTAIN FIRE RESISTIVE INTEGRITY. WHERE AN EXISTING PENETRATION IS USED, SEAL PENETRATION AFTER WORK IS COMPLETED.
 - COORDINATE ELECTRICAL WORK WITH OTHER TRADES AND WITH OWNER.
 - FASTEN NAMEPLATES TO THE DEVICE WITH A MINIMUM OF TWO SHEETMETAL SCREWS OR TWO RIVETS.
 - PERFORM AN OPERATIONAL TEST AFTER COMPLETING THE INSTALLATION TO ASSURE PROPER OPERATION OF ITEMS OF THE WORK.
 - CLEAN UP DEBRIS AT END OF EACH DAYS WORK. REMOVE MARKINGS FROM ELECTRICAL EQUIPMENT AND DEVICES.

CONSULTANT:

N15 ARCHITECTS
ARCHITECTURE + INTERIOR DESIGN + PROJECT MANAGEMENT

P.O. BOX 5338 CHR8
SAIPAN, MP 96950, USA
TEL.: 670-233-5115
www.n15architects.com

CONSULTANT:



WSP USA Buildings Inc.
1001 Bishop Street Suite 2400
Honolulu Hawaii 96813 USA
Telephone 808 536 1737
Facsimile 808 537 5829
honda@wsp.com

NOTES:

DO NOT SCALE FIGURED DIMENSIONS ONLY TO BE TAKEN FROM THIS DRAWING. CHECK DIMENSIONS ON SITE AND REPORT DISCREPANCIES TO THE ARCHITECT.

THIS DRAWING IS PROTECTED BY COPYRIGHT.
ALL AREAS HAVE BEEN MEASURED FROM CURRENT DRAWINGS. THEY MAY VARY BECAUSE OF (EG) SURVEY, DESIGN DEVELOPMENT, CONSTRUCTION TOLERANCE, STATUTORY REQUIREMENTS OR RE-DEFINITION OF THE AREAS TO BE MEASURED.

REVISIONS:

Rev.	Date	Comments	Issued by

SEAL:



*This plan was prepared by me,
or under my direct supervision.*

PROJECT STATUS:

100% ISSUED FOR CONSTRUCTION

PROJECT TITLE:

NMI SOCCER TRAINING

CENTER - PHASE 2
KOBLEVILLE, SAIPAN, MP 96950, USA

CLIENT:

NMIFA / DCCA

DRAWING TITLE:

**ELECTRICAL NOTES,
LEGEND & SYMBOLS**

DESIGNED:	CFF	DRAWN:	RCC
CHECKED:	CFF	REVIEWED:	RCC
DATE:	02/04/22	SCALE:	AS SHOWN

SHEET NO.: REVISION:

E0-1.0

1

CONSULTANT:

NMS ARCHITECTS

ARCHITECTURE + INTERIOR DESIGN + PROJECT MANAGEMENT

TEL: 870-233-5115
www.nmsarchitects.com

P.O. BOX 3339 CHRB
SARAPAN, MP 98950, USA

CONSULTANT:



WSP USA Builders, Inc.
1001 Bishop Street Suite 2400
Honolulu, Hawaii 96813 USA
Telephone 808 538 1127
Facsimile 808 537 5829
hawaii@wsp.com

NOTES:

DO NOT SCALE FIGURED DIMENSIONS ONLY TO BE TAKEN FROM THIS DRAWING. CHECK DIMENSIONS ON SITE AND REPORT DISCREPANCIES TO THE ARCHITECT.
THIS DRAWING IS PROTECTED BY COPYRIGHT.
ALL AREAS HAVE BEEN MEASURED FROM CURRENT DRAWINGS. THEY MAY VARY BECAUSE OF (E.G.) SURVEY, DESIGN DEVELOPMENT, CONSTRUCTION TOLERANCE, STATUTORY REQUIREMENTS OR RE-INTERPRETATION OF THE MEASUREMENTS TO BE MEASURED.

REVISIONS:

Rev.	Date	Comments	Issued by

SEAL:



This plan was prepared by me, or under my direct supervision.

PROJECT STATUS:

100% ISSUED FOR CONSTRUCTION

PROJECT TITLE:

NMI SOCCER TRAINING CENTER - PHASE 2

KOBLERVILLE, SARAPAN, MP 98950, USA

CLIENT:

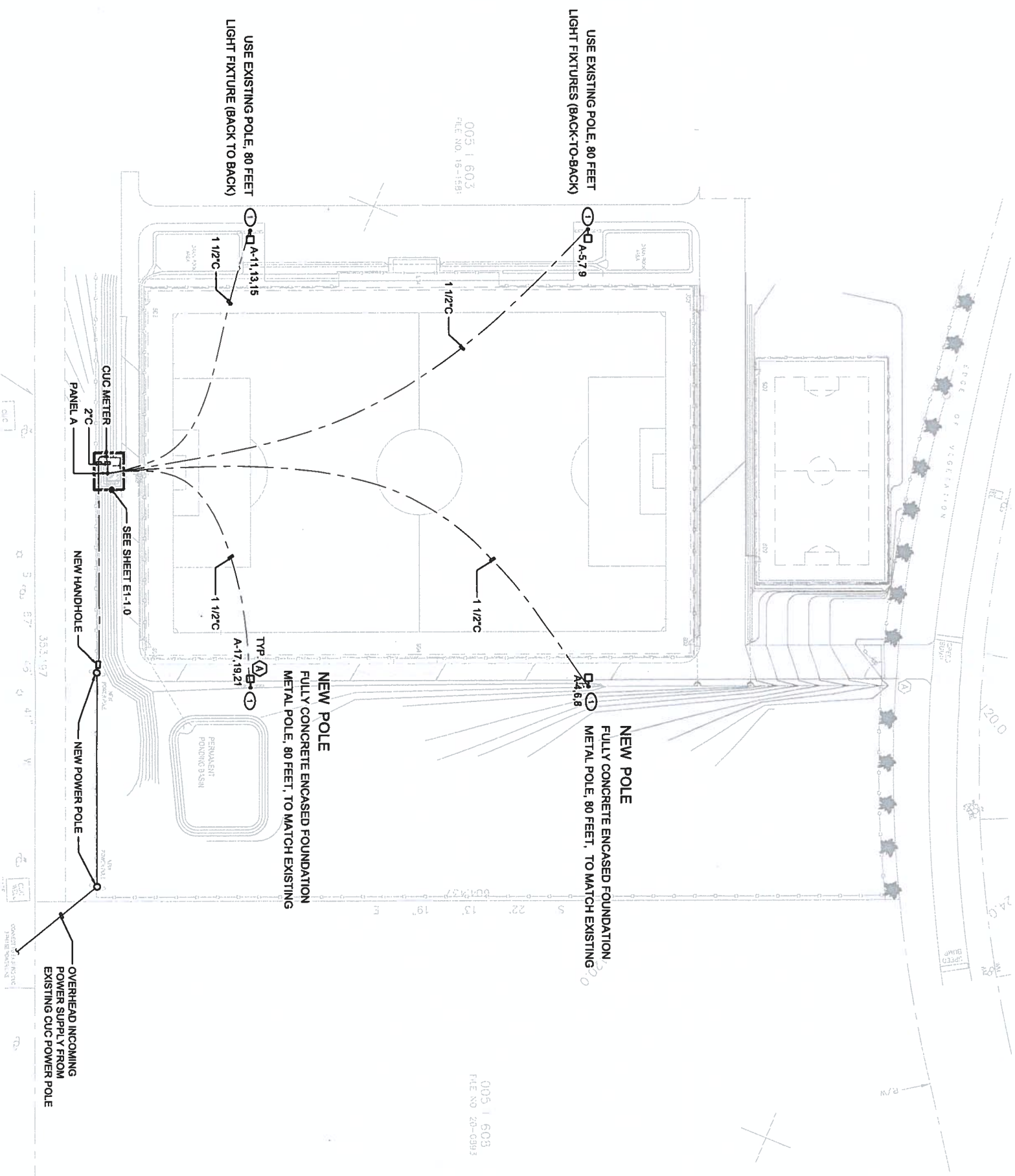
NMIFA / DCCA

DRAWING TITLE:

ELECTRICAL SITE PLAN

DESIGNED:	CFE	DRAWN:	RCC
CHECKED:	CFE	REVIEWED:	RCC
DATE:	02/04/22	SCALE:	AS SHOWN
SHEET NO.:	E1-1.0	REVISION:	1

SHEET NOTES:
1. CONNECT LIGHTINGS TO EXISTING ARMESH HUB LOCATED IN THE EXISTING OFFICE OF THE TRAINING CENTER.



1 ELECTRICAL SITE PLAN
1" = 40'-0"



CONSULTANT:

NMS ARCHITECTS

ARCHITECTURE + INTERIOR DESIGN + PROJECT MANAGEMENT

TEL: 970-233-5115
www.nmsarchitects.com

P.O. BOX 5339 CHR8
SARASOTA, FL 34230, USA

CONSULTANT:



NMS USA Building Inc.
1001 Babco Street Suite 200
Hendricksville, TN 37056 USA
Telephone 603 533 1737
Facsimile 603 537 2828
nmsusa@nms.com

NOTES:

DO NOT SCALE FIGURED DIMENSIONS ONLY TO BE TAKEN FROM THIS DRAWING. CHECK DIMENSIONS ON SITE AND REPORT DISCREPANCIES TO THE ARCHITECT.
THIS DRAWING IS PROTECTED BY COPYRIGHT.
ALL AREAS HAVE BEEN MEASURED FROM CURRENT DRAWINGS. THEY MAY VARY BECAUSE OF EGG SURVEY, STATUTORY REQUIREMENTS OR RE-DEFINITION OF THE AREAS TO BE MEASURED.

REVISIONS:

Rev.	Date	Comments	Issued by

SEAL:



This plan was prepared by me, or under my direct supervision.

PROJECT STATUS:

100% ISSUED FOR CONSTRUCTION

PROJECT TITLE:

NMI SOCCER TRAINING CENTER - PHASE 2

KOBLERVILLE, SARASOTA, FL 34230, USA

CLIENT:

NMIFA / DCCA

DRAWING TITLE:

LUMINAIRE AND ELECTRICAL LOAD SCHEDULE AND SINGLE LINE DIAGRAM

DESIGNED: CFF DRAWN: RCC

CHECKED: CFF REVIEWED: RCC

DATE: 02/04/22 SCALE: AS SHOWN

SHEET NO.: REVISION:

E2-1.0 1

PROJECT: NMI SOCCER TRAINING CENTER - PHASE 2		PANEL A							
LOCATION: ELECTRICAL ROOM		VOLTS-PHASE-W: 208V/120V-3-4 MAIN: 3P225A							
MOUNTING: SURFACE		BUS AMPS: 225							
MANUFACTURER:		SHORT CIRCUIT RATING:							
		BREAKERS: BOLT-ON							
DESCRIPTION	KVA	WIRE	BKR	PHASE	BKR	WIRE	KVA	DESCRIPTION	
1 RECEPTACLES - EE ROOM	0.72	12	1P20A	A	1P20A	12	0.80	LIGHTS - EE ROOM	
3 RECEPTACLES - EE ROOM EXTERIOR	0.36	1/0	1P20A	B	3P50A	1/0	4.36	LIGHTS - NEW SOCCER PITCH	
5 LIGHTS - NEW SOCCER PITCH	4.36	1/0	3P50A	C	-	1/0	4.36	-	
7 -	4.36	1/0	-	A	-	1/0	4.36	-	
9 -	4.36	1/0	-	B	3P50A	-	-	PROVISION FOR MINI SOCCER PITCH	
11 LIGHTS - NEW SOCCER PITCH	4.36	1/0	3P50A	C	-	-	-	-	
13 -	4.36	1/0	-	A	-	-	-	-	
15 -	4.36	1/0	-	B	3P50A	-	-	PROVISION FOR MINI SOCCER PITCH	
17 LIGHTS - NEW SOCCER PITCH	4.36	1/0	3P50A	C	-	-	-	-	
19 -	4.36	1/0	-	A	-	-	-	-	
21 -	4.36	1/0	-	B	-	-	-	-	
23 SPARE	-	-	1P20A	C	-	-	-	-	
24	-	-	-	-	-	-	-	-	
CONNECTED LOAD: PHASE A: 19.0 KVA				TOTAL LOAD: 54.2 KVA					
CONNECTED LOAD: PHASE B: 17.8 KVA				ESTIMATED DEMAND: 54.2 KVA					
CONNECTED LOAD: PHASE C: 17.4 KVA				TOTAL CALCULATED LOAD: 150.4 A					

LUMINAIRE SCHEDULE

TYPE	DESCRIPTION	MOUNTING	MANUFACTURER (OR EQUIVALENT)
A	OUTDOOR SPORTS LIGHTING, 32W, 208V, 3PH, 750W	POLE CROSSARM	FIXTURE EATON EPHEBUS AF-750-X-VH-ST-BLK-X-Z POLE MSM MSP80MSP8
B	4 SURFACE MOUNT LED, WITH EMERGENCY BATTERY PACK, 52.2W	SURFACE	LITHONIA STL4 60L EZ1 LP840 EL14L
C	WALL MOUNTED EXTERIOR LED WALL PACK, WIDE THROW, WITH EMERGENCY BATTERY PACK	WALL MOUNTED	LITHONIA WST LED P2 40K VW MVOLT E20WH

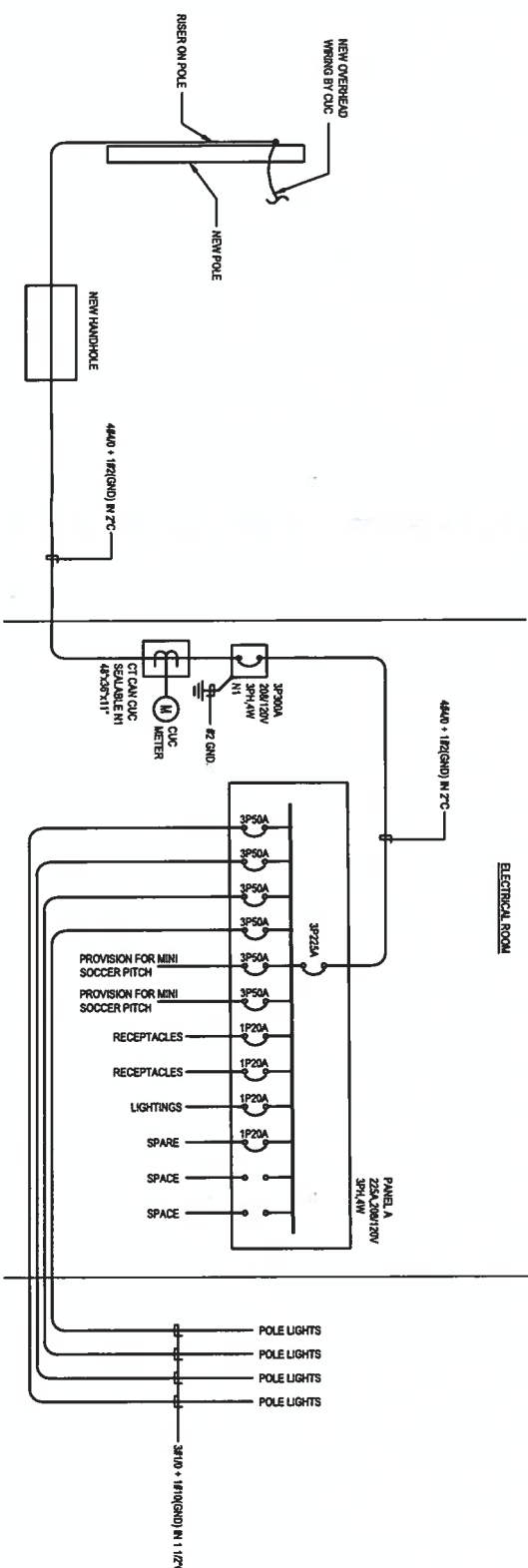
NOTES:
1. REFER TO ARCHITECTURAL DRAWINGS FOR CEILING TYPES AND DETAILS TO DETERMINE NECESSARY FIXTURE MOUNTING ACCESSORIES AND FOR APPLICABLE BUILDING CODES FOR REQUIRED FIXTURE SUPPORTS AND FOR MAINTAINING CEILING FIRE RATINGS. DRAWINGS ARE TYPICAL FOR USE.
2. UNLABELLED LUMINAIRES CHOSEN BY THE ELECTRICAL ENGINEER WITHIN THE PARAMETERS NOTED ON THE DRAWINGS ARE TYPICAL FOR USE.
3. MANUFACTURERS LISTED IS TO DESCRIBE LUMINAIRE EQUIVALENT LUMINAIRES MAY BE PROVIDED UPON APPROVAL BY THE ARCHITECT.

LOAD CALCULATIONS

A. ELECTRICAL ROOM
a. General Lighting and Receptacle (162 x 5 VA/SF) = 810 VA
Subtotal = 810 VA @208V, 3PH =

B. SITE LOADS
a. Field Lighting = 52.32 KVA
Subtotal = 52.32 KVA @208V, 3PH =

TOTAL FACILITY DEMAND
A. ELECTRICAL ROOM = 810 VA
B. SITE LOADS = 52.32 KVA
Subtotal = 53.13 KVA @ 90% Div Factor = 47.82 KVA @208V, 3PH = 132.7 A



1 ELECTRICAL SINGLE LINE DIAGRAM
NOT TO SCALE

CONSULTANT:

NMS ARCHITECTS

ARCHITECTURE • INTERIOR DESIGN • PROJECT MANAGEMENT

TEL: 678-233-5115
www.nmsarchitects.com

P.O. BOX 5338 CHR8
SAIPAN, MP 96950, USA

CONSULTANT:



WSP USA Building Inc.
1001 Bono Street Suite 2400
Houston, Texas 77031 USA
Telephone 808 538 1737
Fax/Email 808 537 2828
hondaki@wsp.com

NOTES:

DO NOT SCALE FIGURED DIMENSIONS ONLY TO BE TAKEN FROM THIS DRAWING. CHECK DIMENSIONS ON SITE AND REPORT DISCREPANCIES TO THE ARCHITECT.
THIS DRAWING IS PROTECTED BY COPYRIGHT.
ALL AREAS HAVE BEEN MEASURED FROM CURRENT DRAWINGS THEY MAY VARY BECAUSE OF (E.G) SURVEY, DESIGN DEVELOPMENT, CONSTRUCTION TOLERANCE, STATUTORY REQUIREMENTS OR RE-DEFINITION OF THE AREAS TO BE MEASURED.

REVISIONS:

Rev.	Date	Comments	Issued by

SEAL:



This plan was prepared by me, or under my direct supervision.

PROJECT STATUS:

100% ISSUED FOR CONSTRUCTION

PROJECT TITLE:

NMI SOCCER TRAINING CENTER - PHASE 2
KOBLEVILLE, SAIPAN, MP 96950, USA

CLIENT:

NMIFA / DCCA

DRAWING TITLE:

ELECTRICAL DETAILS

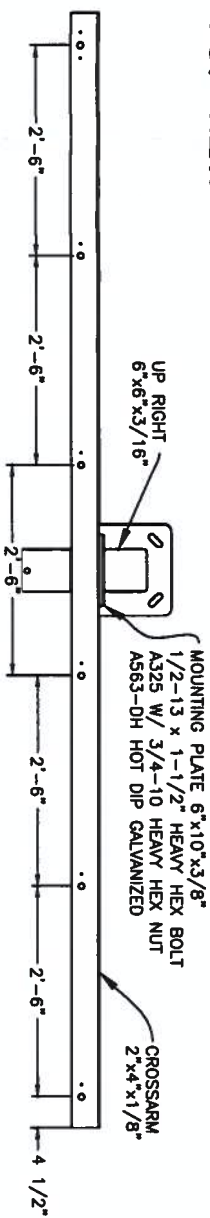
DESIGNED: CFF DRAWN: RCC
CHECKED: CFF REVIEWED: RCC

DATE: 02/04/22 SCALE: AS SHOWN

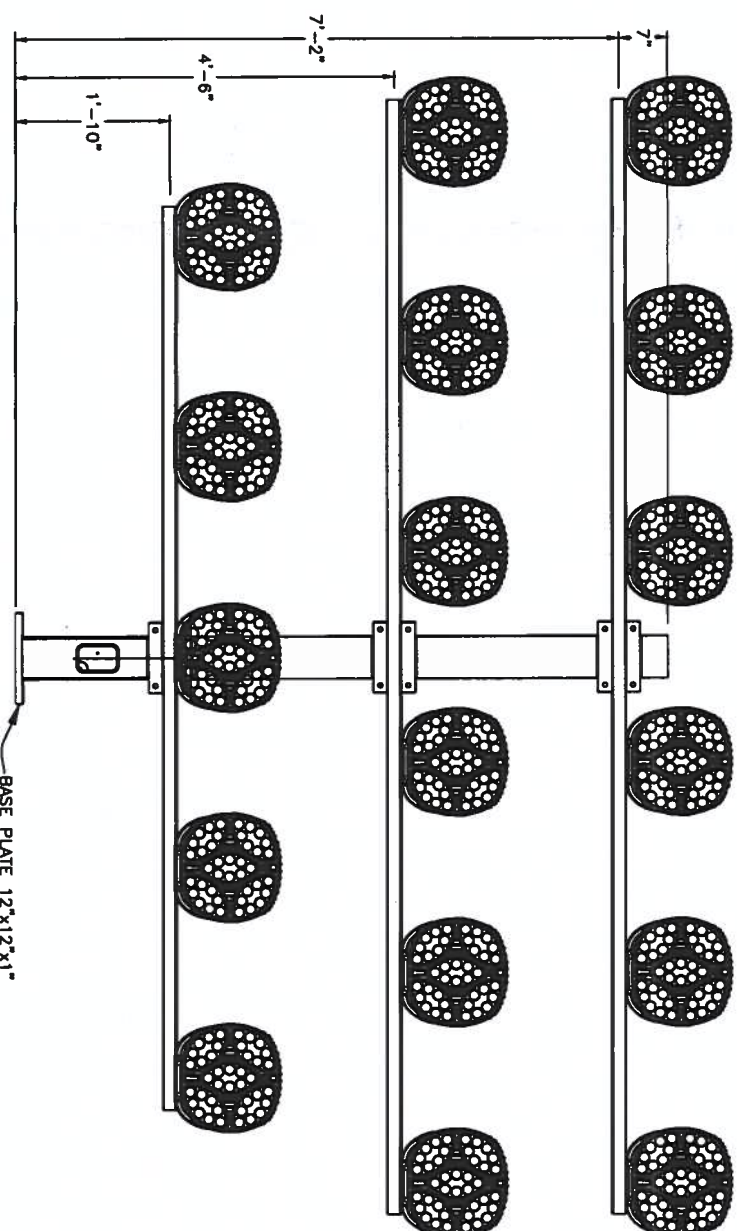
SHEET NO.: REVISION:

E3-1.0 1

TOP VIEW

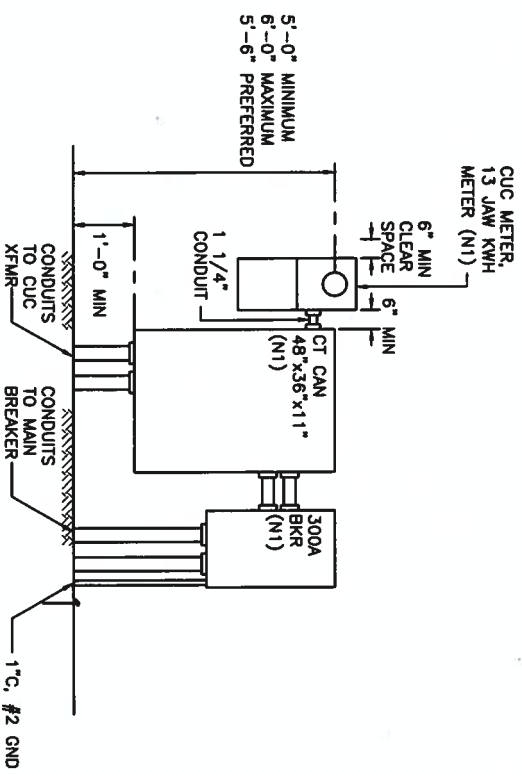


FRONT VIEW



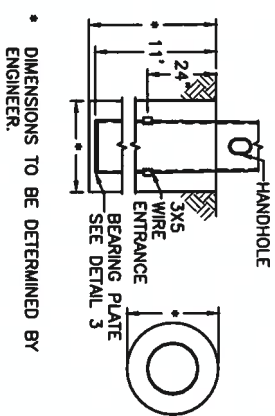
** HOT-DIP GALVANIZED AFTER FABRICATION TO ASTM A123 SPECIFICATIONS
** ASSEMBLY WEIGHT: 1,160 LBS
** ASSEMBLY EPA: 40.57 sq.ft. (INCLUDING FIXTURES)

6 17 FIXTURE CROSSARM ASSEMBLY
NOT TO SCALE

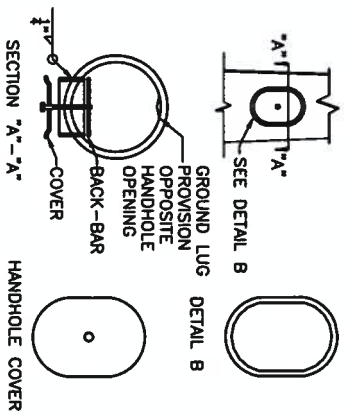


4 ANCHOR BOLTS
NOT TO SCALE

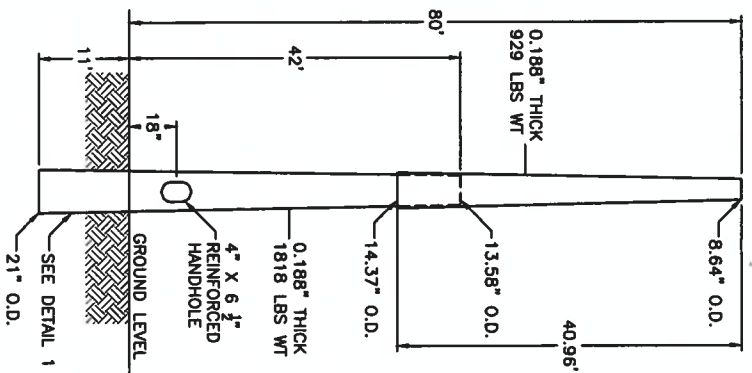
NOTE: EXTERIOR TOP COATED WITH COAL TAR MASTIC EMBEDMENT DEPTH PLUS 6".



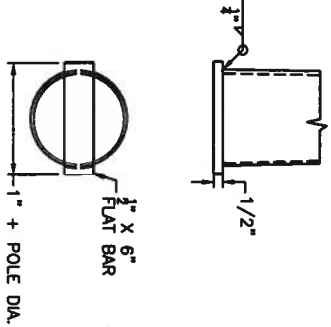
3 HANDHOLE
NOT TO SCALE



1 POLE ASSEMBLY
NOT TO SCALE



2 BEARING PLATE
NOT TO SCALE



5 METERING EQUIPMENT ELEVATION
NOT TO SCALE